

TH7

series



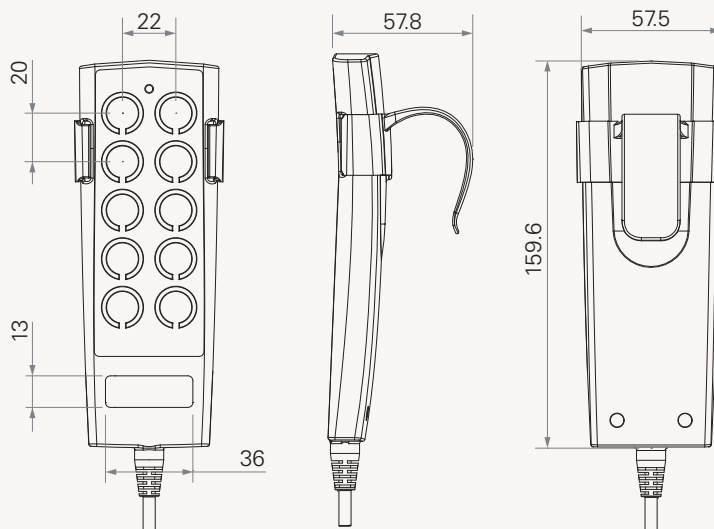
Product Segments

• Care Motion

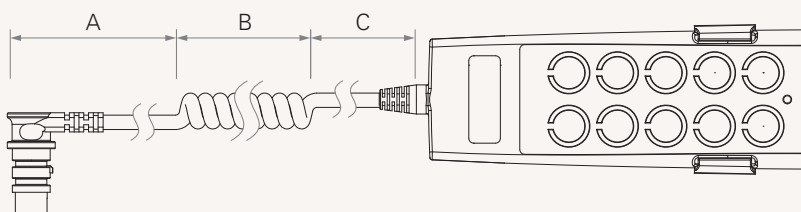
Connected actuators	1~4
Maximum available buttons	10
Color	black or grey
IP rating	IP54 or IP66
Options	safety key
LED indication	

Drawing

Standard Dimension
(mm)



Dimension with Cable Length



Cable Length (mm)

CODE	A	B	C
1	1000	300	200
2	1200	300	300
3	1400	300	400
4	2400	0	0
5	0	600	0
6	1000	200	200

Terms of Use

The user is responsible for determining the suitability of TiMOTION products for a specific application.

Due to continuous development in order to improve our products, TiMOTION products are subject to frequent modifications and changes without prior notice.

TiMOTION reserves the right to discontinue the sale of any products displayed on its website or listed in its catalogue or other written materials drawn up by TiMOTION.

TH7 Ordering Key

TH7

Version: 20150104-I

<input type="checkbox"/>	Number of Actuators	1 = 1	2 = 2	3 = 3	4 = 4	
<input type="checkbox"/>	Plug	1 = DIN 8pin, for TC2/TC3/TC7 2 = RJ 10pin, 90°, for TC1/TC8/TC10 4 = DIN 8pin, 180°, for extension cable			5 = RJ 10pin, 180°, for TC6/TC9/extension cable A = Customized	
<input type="checkbox"/>	Color	1 = Black			2 = Grey (Pantone 428C)	
<input type="checkbox"/>	IP Rating	1 = Without		2 = IP54	3 = IP66	
<input type="checkbox"/>	Safety Key	0 = Without			1 = With	
<input type="checkbox"/>	Key Definition	01~66 = See appendix*			AA = Customized	
<input type="checkbox"/>		Note : please contact TiMOTION before making an order				
<input type="checkbox"/>	Cable Length	1~6 = See appendix				
<input type="checkbox"/>	Hook Type	1 = Standard				