

TH30

series



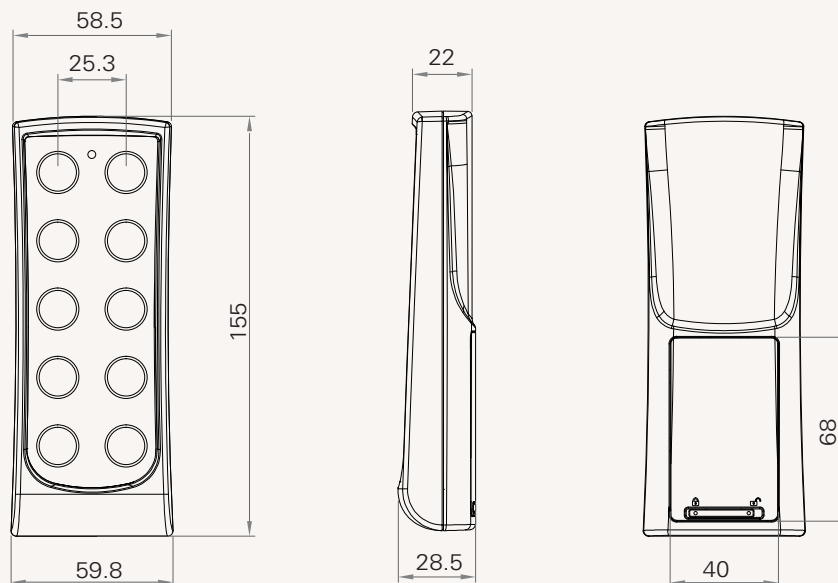
Product Segments

- **Care Motion**

Connected actuators	1~4
Maximum available buttons	10
With wireless function	IEEE802.15.4 standard
Working with wireless receiver	TRF2
Operating distance	3~7m
Color	black or grey
Certificate	IEC60601-1

Drawing

Standard Dimension
(mm)



Terms of Use

The user is responsible for determining the suitability of TiMOTION products for a specific application.

Due to continuous development in order to improve our products, TiMOTION products are subject to frequent modifications and changes without prior notice.

TiMOTION reserves the right to discontinue the sale of any products displayed on its website or listed in its catalogue or other written materials drawn up by TiMOTION.

TH30 Ordering Key

TH30

Version: 20140421-D



Communication Protocols 1 = IEEE 802.15.4



Number of Actuators 1 = 1 2 = 2 3 = 3 4 = 4



Color 1 = Black 2 = Grey (Pantone 428C)



Key Definition A-I = See appendix* 1 = Customized

Note: please contact TIMOTION before making an order